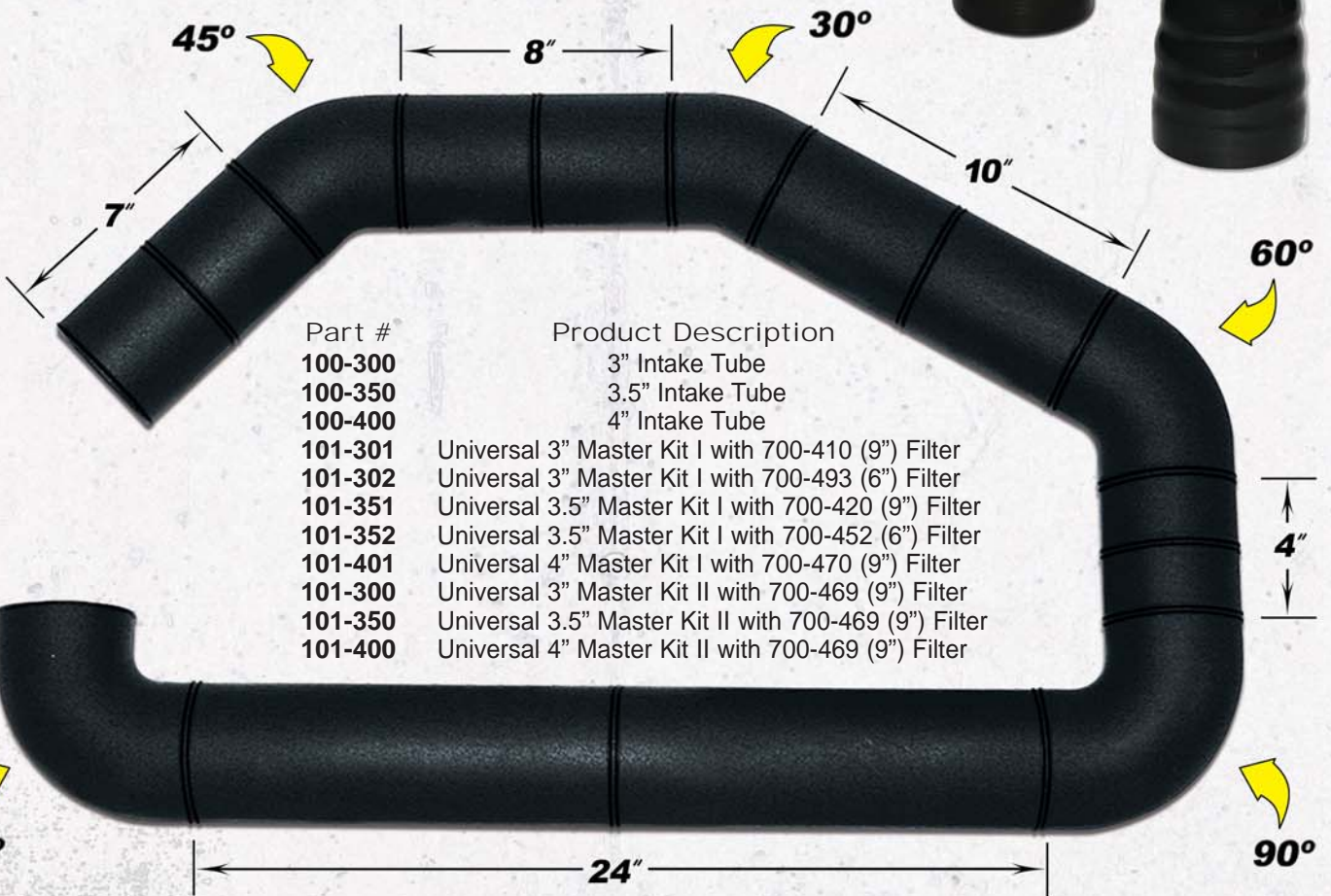
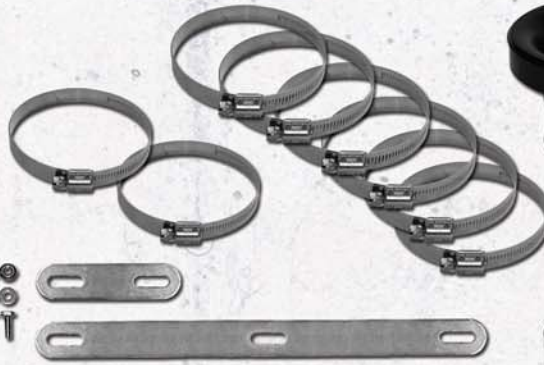


**NEW!**

From



U-Build-It (UBI) is the Newest kit from AIRAID Filter Company that comes complete with everything you need to create a Custom Intake System. Manufactured for the "fabricator" in you, this kit allows you to design a One-Of-A-Kind system for your vehicle.



Part #	Product Description
100-300	3" Intake Tube
100-350	3.5" Intake Tube
100-400	4" Intake Tube
101-301	Universal 3" Master Kit I with 700-410 (9") Filter
101-302	Universal 3" Master Kit I with 700-493 (6") Filter
101-351	Universal 3.5" Master Kit I with 700-420 (9") Filter
101-352	Universal 3.5" Master Kit I with 700-452 (6") Filter
101-401	Universal 4" Master Kit I with 700-470 (9") Filter
101-300	Universal 3" Master Kit II with 700-469 (9") Filter
101-350	Universal 3.5" Master Kit II with 700-469 (9") Filter
101-400	Universal 4" Master Kit II with 700-469 (9") Filter

**101-400 Master Kit II**



# Straight Tubes

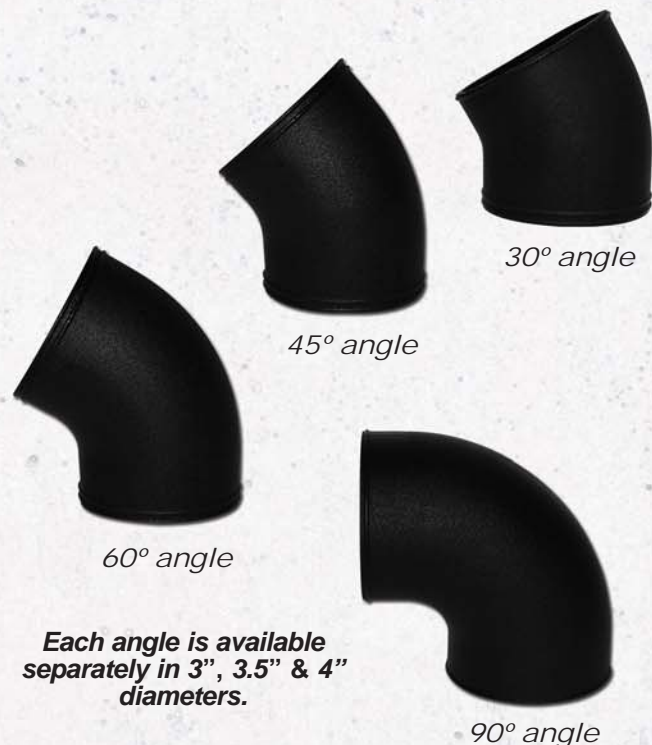


Part Number	Item Description
102-300	3" OD x 2" L Straight Section
102-350	3.5" OD x 2" L Straight Section
102-400	4" OD x 2" L Straight Section
108-300	3" OD x 8" L Straight Section
108-350	3.5" OD x 8" L Straight Section
108-400	4" OD x 8" L Straight Section
112-300	3" OD x 12" L Straight Section
112-350	3.5" OD x 12" L Straight Section
112-400	4" OD x 12" L Straight Section
124-300	3" OD x 24" L Straight Section
124-350	3.5" OD x 24" L Straight Section
124-400	4" OD x 24" L Straight Section

# Angle Tubes

Part Number	Item Description
100-303	3" OD with 30 degree bend
100-353	3.5" OD with 30 degree bend
100-403	4" OD with 30 degree bend
100-304	3" OD with 45 degree bend
100-354	3.5" OD with 45 degree bend
100-404	4" OD with 45 degree bend
100-306	3" OD with 60 degree bend
100-356	3.5" OD with 60 degree bend
100-406	4" OD with 60 degree bend
100-309	3" OD with 90 degree bend
100-359	3.5" OD with 90 degree bend
100-409	4" OD with 90 degree bend

Each straight section is available separately in 3", 3.5" & 4" diameters and lengths of 2", 3.5", 4", 5", 7", 8", 10", 12", & 24".



Each angle is available separately in 3", 3.5" & 4" diameters.

# Components

Part Number	Item Description	Urethane Clamp	Silicone Clamp
160-630	Velocity Stack 6" OD x 3" OD		
160-635	Velocity Stack 6" OD x 3.5" OD		
160-640	Velocity Stack 6" OD x 4" OD		
KITELBOW08	90° Elbow 4.5" ID		
KITCOUPLER01	Coupler 3.62" ID x 3" L 3-ply	X 64 (2)	X 56 (2)
KITCOUPLER03	Coupler 3.5" ID x 3" L 3-Ply	X 60 (2)	X 56 (2)
KITCOUPLER04	Coupler 2.75" ID x 3" L 3-Ply	X 48 (2)	X 44 (2)
KITCOUPLER05	Coupler 3.5" ID x 3" L		X 56 (2)
KITCOUPLER07	Oval Coupler 5.35" x 2.89" x 2.5" L	X 72 (2)	X 68 (2)
KITCOUPLER08	Coupler 2 5/8" x 3" L	X 48 (2)	X 44 (2)
KITCOUPLER09	Coupler 3.5" x 2" L		X 56 (2)
KITCOUPLER10	Coupler 3.875" ID x 2" L	X 64 (2)	X 60 (2)
KITCOUPLER11	Coupler 2 5/8" x 2" L		X 44 (2)
KITCOUPLER12	Oval Coupler 5.35" x 2.89" x 2.5" L		X 72 (2)
KITCOUPLER13	Coupler 3.875" ID x 2" L		X 64 (2)
KITCOUPLER14	Coupler 3.62" ID x 3" L		X 56 (2)
KITCOUPLER15	Coupler 3.87" ID x 1.62" L		X 56 (2)
KITCOUPLER16	Coupler 3.15" ID x 2.5" L		X 48 (2)
KITCOUPLER17	Coupler 3" ID x 3" L		X 52 (2)
KITCOUPLER18	Coupler 4" ID x 3" L		X 56 (2)
KIT109H300	Hump Hose 3.5" X 3.0"		
KIT109H35	Hump Hose 3.5" X 3.5"		
KITHUMPHS01	Hump Hose 3.5" ID x 4.5" L	X 60 (2)	X 52 (2)
KITHUMPHS02	Hump Hose 3.62" ID x 4" L	X 64 (2)	X 56 (2)
KITHUMPHS03	Hump Hose 3.5" ID x 3" L	X 60 (2)	X 52 (2)
KITHUMPHS04	Hump Hose 3.25" ID x 3.5" L	X 56 (2)	X 52 (2)
KITHUMPHS05	Hump Hose 4.25" ID x 3" L	X 72 (2)	X 68 (2)
KITHUMPHS06	Hump Hose 3" ID x 3" L	X 52 (2)	X 48 (2)
KITHUMPHS08	Hump Hose 4.5" ID x 4" L	X 80 (2)	X 72 (2)
KITHUMPHS09	Hump Hose 4" ID x 3.5" L	X 68 (2)	X 64 (2)
KITHUMPHS10	Hump Hose 3.858" to 3.386"		X 72 (2)
KITHUMPHS11	Hump Hose 3.5" to 3.375" x 3" L	X 60 (2)	X 56 (2)
KITHUMPHS12	Hump Hose 4" x 2.5" L		X 64 (2)
KITHUMPHS13	Hump Hose 4.25" ID x 3" L		X 64 (2)
KITHUMPHS14	Hump Hose 4.5" ID x 4" L		X 72 (2)
KITHUMPHS15	Hump R 3.5" x 2.75" x 3" L		X 44 (1) 52 (1)
KITHUMPHS16	Hump Hose 3.62" ID x 4" L		X 56 (2)
KITHUMPHS17	Oval Hump Hose 6.13" x 3.45" x 2.5" L		X 80 (2)
KITHUMPHS18	Hump Hose 3.625" x 3" L	X 64 (2)	
KITHUMPHS19	Hump Hose 3.87" x 3.62" x 3.5" L	X 60 (1) 64 (1)	
KITHUMPHS20	Hump Hose 3" ID x 3" L		X 48 (2)
KITHUMPHS21	Hump Hose 3.5" ID x 3" L		X 52 (2)
KITHUMPHS22	Hump Hose 4" ID x 3" L		X 56 (2)
KITRDCR01	Reducer 3.25" ID x 3.5" ID x 2.5" L		X 48 (1) 52 (1)
KITRDCR02	Reducer 3.5" ID x 3" ID		X 48 (1) 56 (1)
KITRDCR03	Reducer 2.75" ID x 2.5" ID		X 44 (2)
KITRDCR04	Reducer 3.5" ID x 3.375" ID x 2" L		X 56 (2)
KITRDCR05	Reducer 3.5" to 3.0" x 2.5" L		X 48 (1) 52 (1)
KITRDCR07	Reducer 3.5" ID x 3" ID		X 48 (1) 56 (1)
KITRDCR08	Reducer 3.5" to 3.0" x 2.5" L		X 48 (1) 52 (1)
KITRDCR09	Reducer 3.25" ID x 3.5" ID x 2.5" L		X 48 (1) 52 (1)
KITRDCR10	Reducer 4.0" to 3.5" x 2.5" L		X 56 (1) 52 (1)
KITRDCR11	Reducer 4.0" to 3.0" x 2.5" L		X 56 (1) 48 (1)
KITRDCR12	Reducer 3.5" to 2.5" ID x 5.1" L		X 48 (1) 44 (1)
KITRDCR13	Reducer 4.0" to 3.0" ID x 6.0" L		X 60 (1) 64 (1)





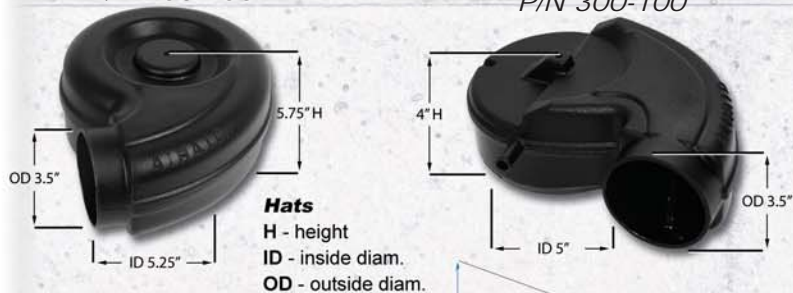
# Assorted Hardware & Hose Clamps

Part Number	Description
KITHOSE01	1/2" Heater Hose 50ft rolls
KITHOSE02	5/8" Heater Hose 250ft roll
KITHOSE03	1/4" Heater Hose
KITHOSE05	3/4" Heater Hose
KITHOSE06	3/8" Heater Hose 50ft rolls
KITHOSE07	1/8" Hose SAE J30R7
KITHS44	#44 SS Worm Clamp
KITHS48	#48 SS Worm Clamp
KITHS52	#52 SS Worm Clamp
KITHS56	#56 SS Worm Clamp
KITHS60	#60 3.5" SS Worm Clamp
KITHS64	#64 SS Worm Clamp
KITHS68	#68 SS Worm Clamp
KITHS72	#72 Hose Clamp
KITHS80	#80 Hose Clamp 9/16"
KITBRACKET01	Bracket Tube Mount
KITBRACKET02	4" straight bracket
KITBRACKET03	6" straight bracket
KITBRACKET04	8" straight bracket
KITBRACKET05	12" straight bracket



P/N 200-100

P/N 300-100



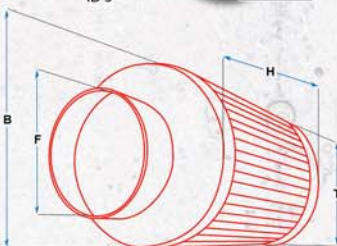
## TB/Carb. Hats

Part Number	Description
200-100	Replacement Hat
300-100	Replacement Hat for 106

## Cone Filters

### Cone Filters

B - base  
F - flange (inside diameter)  
H - height  
T - top



Flange"	Base"	Top"	Height"	AIR- <b>AID</b> <sup>®</sup> Filter
2 1/2	5 3/8	4 5/8	5	700-540
3	6	4 9/8	6	700-493
3	6	4 9/8	7	700-494
3	6	4 5/8	9	700-410
3 offset	8 1/2 x 5 1/4	6 x 3 3/4	5 1/4	720-431
3 x 5 oval	6 3/4 x 4 3/4	4 1/4 x 3	5 9/8	720-500
3 1/4	4 5/8	3 1/2	7	700-433
3 1/2	6	4 9/8	6	700-450
3 1/2 short flange	6	4 9/8	6	700-452
3 1/2	6	4 5/8	7	700-451
3 1/2	4 5/8	3 1/2	7	700-430
3 1/2 short flange	6	4 9/8	7	700-457
3 1/2	6	4 5/8	9	700-420
3 1/2 short flange	6	4 9/8	9	700-421
4	6	4 9/8	6	700-455
4 short flange	6	4 5/8	6	700-453
4	6	4 9/8	7	700-456
4 short flange	7	4 9/8	7	700-458
4	6	4 5/8	9	700-470
4 short flange	6	4 9/8	9	700-471
4 1/2	8	5	7 1/2	700-445
6	7 1/4	4 3/4	6	700-466
6	7 1/4	5	7	700-462
6	7 1/4	5	9	700-469
6	11x8	7 1/8 x 4 1/8	10	720-472
4 3/8 offset	11 1/2 x 5 x 7	9 x 4 1/2	7 3/8	720-128
3 1/2 offset	9 1/2 x 5 1/2	7 3/4 x 3 3/4	4	720-130
3 1/2	8 1/2 x 5 1/2	6 x 3 3/4	5 1/4	720-440

P/N 700-493

P/N 700-410

P/N 700-470

P/N 700-452

P/N 700-420

P/N 700-469



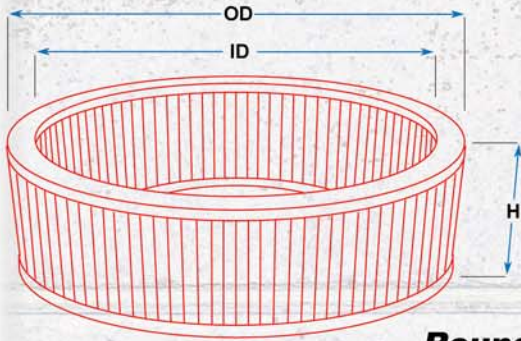
## Pre-Filters

Base"	Top"	Height"	Pre-Filter	Fits AIR- <b>AID</b> <sup>®</sup> Filters
6	4 5/8	9	799-420	700-410, 700-420, 700-470
4 5/8	3 1/2	7	799-430	700-430, 700-433
8	5	7 1/2	799-445	700-445
6	4 5/8	6	799-450	700-450, 700-455, 700-493
7 1/4	5	9	799-469	700-469
11 1/2 • 5 • 7	9 • 4 1/2	7 3/8	799-128	720-128
8 1/2 • 5 1/4	6 • 3 1/4	5	799-440	720-431, 720-440
6	4 5/8	7	799-456	700-451, 700-456, 700-457, 700-458, 700-494

Please Call 800-498-6951 for prices!



**Please refer to the following illustrations for your specific application!**



**Round Filters**

**OD** - outside diameter  
**ID** - inside diameter  
**H** - height



P/N 800-374



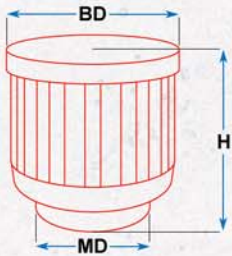
P/N 800-850



P/N 800-315



P/N 800-080



**Breather Filters**

**BH** - base  
**H** - height  
**MB** - mounting diameter



P/N 775-132



P/N 775-143



P/N 775-137



P/N 775-136

**Round Filters**

Extra Inner Wire Support	Outer Diameter"	Inner Diameter"	Height"	AIR-RAID® Filter
No	10	8	2 1/2	800-095
No	14	12	2 5/16	800-387
No	14	12	3	800-350
Yes	14	12	3	800-351
No	14	12	4	800-377
Yes	14	12	4	800-375
No	14	12	5	800-307
Yes	14	12	5	800-306
No	14	12	6	800-379
Yes	14	12	6	800-374

**Breather Filters**

Top"	Mounting Diameter"	Mounting Type	Breather Outer Diameter"	Height"	Breather Filter	Chrome Breather Filter
Rubber	3/8 ID	Clamp On	2 1 1/2	770-132	775-132	
Rubber	1/2 ID	Clamp On	2 1 1/2	770-133	775-133	
Rubber	5/8 ID	Clamp On	2 1 1/2	770-134	775-134	
Rubber	3/4 ID	Clamp On	2 1 1/2	770-136	775-136	
Rubber	1" ID	Clamp On	2 1 1/2	770-137	775-137	
Rubber	1 1/4 ID	Clamp On	3 2 1/2	770-138	775-138	
Rubber	1" ID	Clamp On	3 2 1/2	770-141	775-141	
Rubber	1 3/8 ID	Clamp On	3 2 1/2	770-143	775-143	
Rubber	1 1/2 ID	Clamp On	3 2 1/2	770-145	775-145	
Rubber	1 3/4 ID	Clamp On	3 2 1/2	770-147	775-147	
Rubber	1 1/4 OD	Push In	2 1 1/2	771-480	775-480	
Rubber	1 1/4 OD	Push In	3 2 1/2	771-490	775-490	
Rubber	1 1/4 OD	Screw In	3 2 1/2	771-495	775-495	

**Cleaner Kits**

- 1. Clean** 12oz. Cleaner, 8oz. Squeeze Oil 790-550
- 12oz. Cleaner, 8oz. Aerosol Oil 790-551

